



DRAS enclosed direct-on-line starters

Power and productivity
for a better world™



DRAS enclosed direct on-line starters

The ideal solution for motor starting applications up to 7.5 kW

Simple

- Compact size
- Easy to connect and to operate
- Pre-wired control circuit
- Quick cover fastening with captive screws.

Reliable

- High number of electrical and mechanical operations
- IP65 enclosure
- Double electrical insulation.

6 cable entries

AS 3-pole contactor with holding contact

1 PE and 1 neutral terminal



Start contact block

"I" ON button

"0" OFF/RESET button

T16 thermal overload relay

For machine or wall mounting

Main applications

Control of stand alone motors like for heat pumps, air conditioning units, small machine tools, compressors, pumping, irrigation...



DRAS enclosed direct-on-line starters

IEC - AC-3				Type	Order code	Weight (1 pce)
Rated operational power				max. current $\theta \leq 40\text{ }^{\circ}\text{C}$ $U_e=400\text{ V}$		kg
220 V	400 V	500 V				
230 V						
240 V						
kW	kW	kW	A			

With phase-to-neutral control supply wiring

230 V 50/60 Hz rated control circuit voltage

2.2	4	4	9	DRAS09-26N	1SBK104135R2600	0.650
3	5.5	5.5	12	DRAS12-26N	1SBK114135R2600	0.650
4	7.5	7.5	15.5	DRAS16-26N	1SBK124135R2600	0.650

With phase-to-phase control supply wiring

400 V 50/60 Hz rated control circuit voltage

2.2	4	4	9	DRAS09-28P	1SBK104035R2800	0.650
3	5.5	5.5	12	DRAS12-28P	1SBK114035R2800	0.650
4	7.5	7.5	15.5	DRAS16-28P	1SBK124035R2800	0.650

T16 thermal overload relays (to be ordered separately)

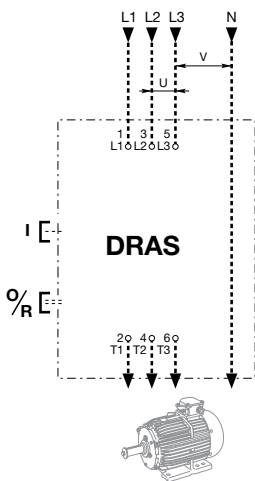
Trip class 10

Setting range	Short-circuit protective device	Type	Order code	Weight (1 pce)
A				kg
Fuse type T				
0.10...0.13	0.5 A	T16-0.13	1SAZ711201R1005	0.100
0.13...0.17	1.0 A	T16-0.17	1SAZ711201R1008	0.100
0.17...0.23		T16-0.23	1SAZ711201R1009	0.100
0.23...0.31		T16-0.31	1SAZ711201R1013	0.100
Fuse type gG				
0.31...0.41	2.0 A	T16-0.41	1SAZ711201R1014	0.100
0.41...0.55		T16-0.55	1SAZ711201R1017	0.100
0.55...0.74	4.0 A	T16-0.74	1SAZ711201R1021	0.100
0.74...1.00	6.0 A	T16-1.0	1SAZ711201R1023	0.100
1.00...1.30		T16-1.3	1SAZ711201R1025	0.100
1.30...1.70	10.0 A	T16-1.7	1SAZ711201R1028	0.100
1.70...2.30		T16-2.3	1SAZ711201R1031	0.100
2.30...3.10		T16-3.1	1SAZ711201R1033	0.100
3.10...4.20	20.0 A	T16-4.2	1SAZ711201R1035	0.100
4.20...5.70		T16-5.7	1SAZ711201R1038	0.100
5.70...7.60	35.0 A	T16-7.6	1SAZ711201R1040	0.100
7.60...10.0		T16-10	1SAZ711201R1043	0.104
10.0...13.0	40.0 A	T16-13	1SAZ711201R1045	0.104
13.0...16.0		T16-16	1SAZ711201R1047	0.104

Also available (see catalog 1SBC100185C0201):

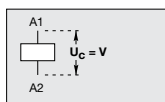
- Large choice of AC control voltages
- 24 V or 48 V DC control voltages, pre-wired for separate supply
- Individual components: enclosure, contactor, holding contact block.

Control supply wiring versions



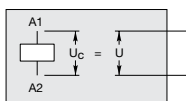
DRAS..N

Phase-to-neutral

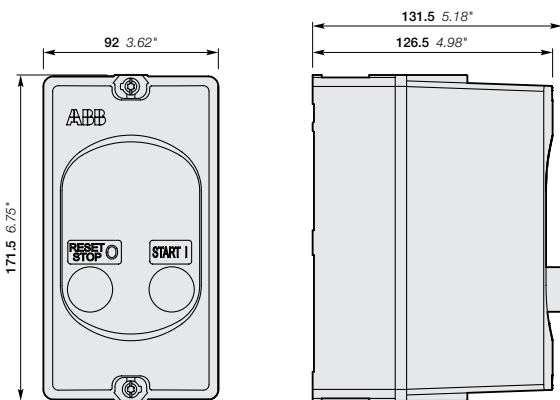


DRAS..P

Phase-to-phase



Main dimensions mm, inches



DRAS09, DRAS12, DRAS16

Cable inlets

Enclosure top

2 x \varnothing 20.5/25.5 mm

2 x \varnothing 0.81/1.00"

Enclosure back

2 x \varnothing 20.5 mm

2 x \varnothing 0.81"

Cable outlet

Enclosure bottom

2 x \varnothing 20.5/25.5 mm

2 x \varnothing 0.81/1.00"

\varnothing 20.5mm - \varnothing 0.81" for ISO M20

\varnothing 25.5mm - \varnothing 1.00" for ISO M25

Contact us

ABB France

Low Voltage Products Division

3, rue Jean Perrin

F-69687 Chassieu cedex / France

ABB STOTZ-KONTAKT GmbH

Eppelheimer Straße 82

D-69123 Heidelberg / Germany

You can find the address of your local sales organisation on the [ABB home page](#)



www.abb.com/lowvoltage